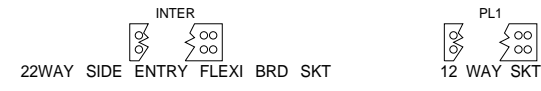
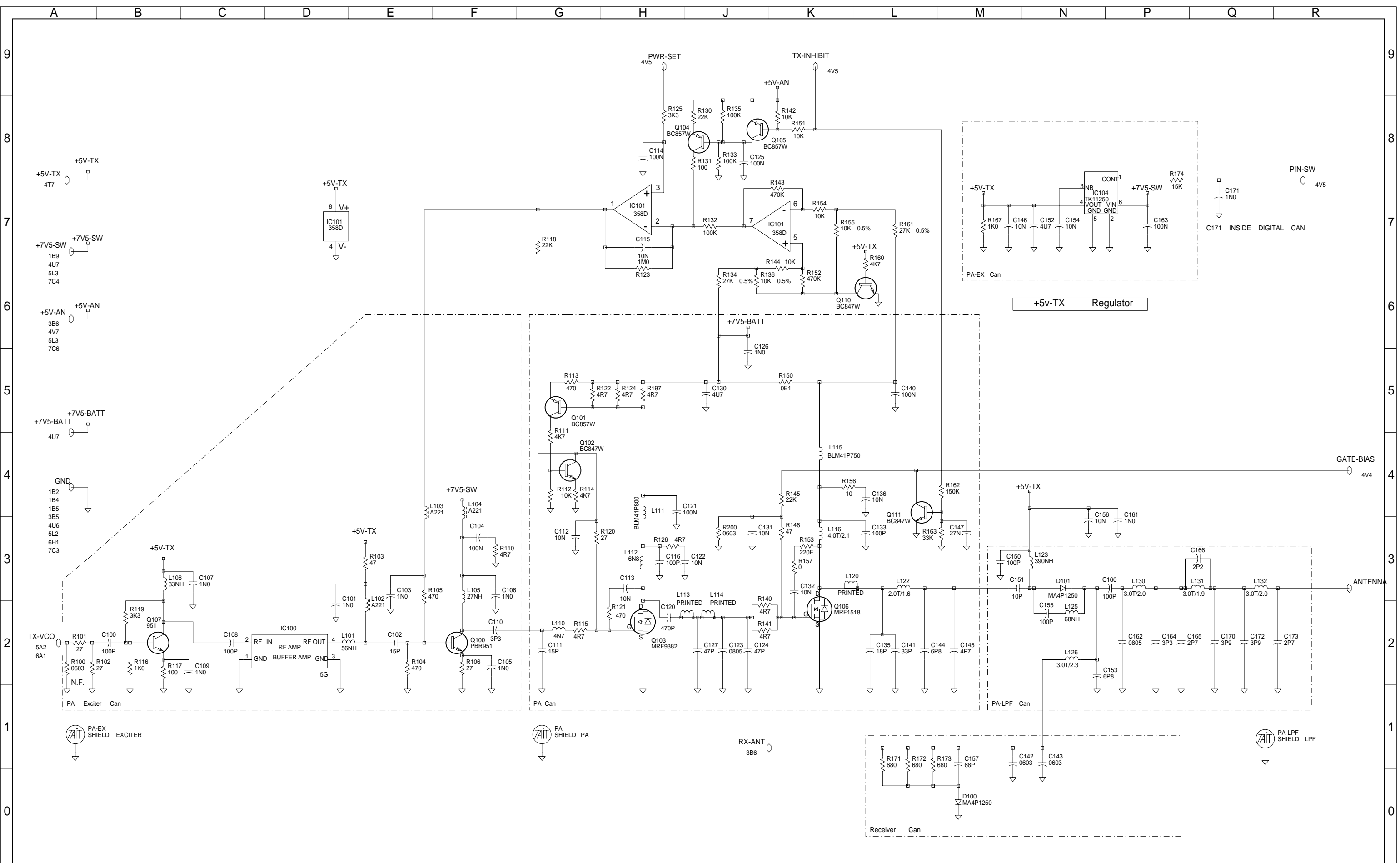


04A	CCO. NO. 1624-006	BRD			20-03-01	
03B	CCO NO 1624-005	CJK			08-06-00	
03A	ECO NO 50 0788	CJK	JJ		29-05-00	
02A	CCO NO.1624-004 AMP CHANGES	TS			16-12-99	
01A	INITIAL DES CCO 1624/001 002 003	BRD	JJ	CK	GR	25/11/99
REV/ISS	AMENDMENTS	DRAWN	CHKD	D.O.	APVD	DATE



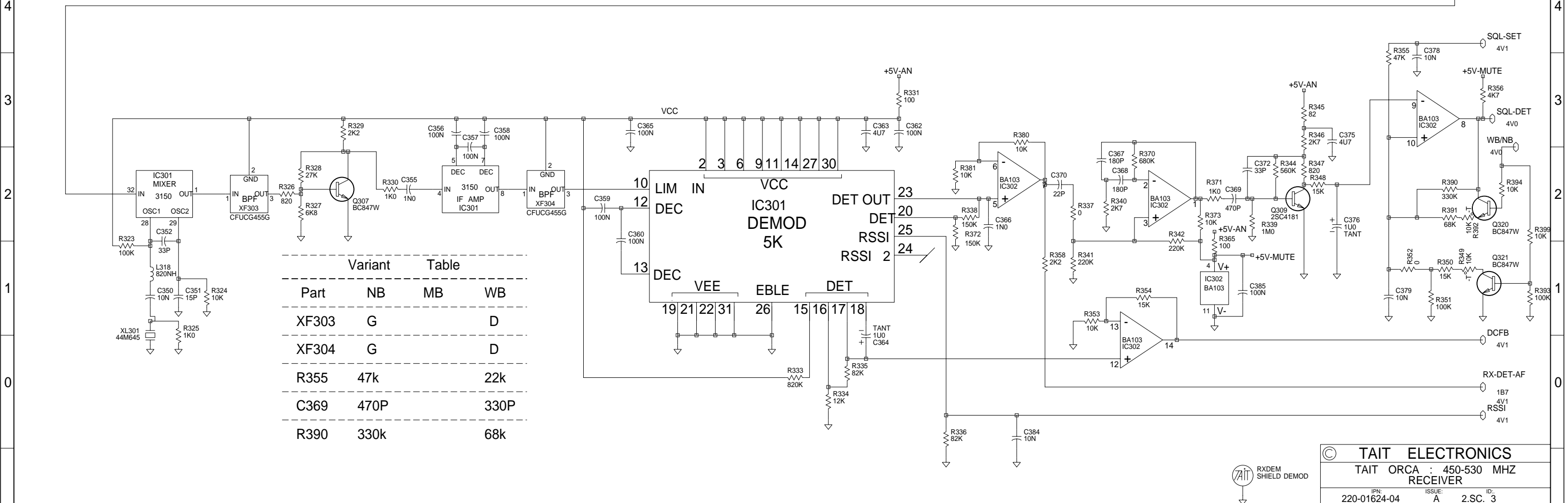
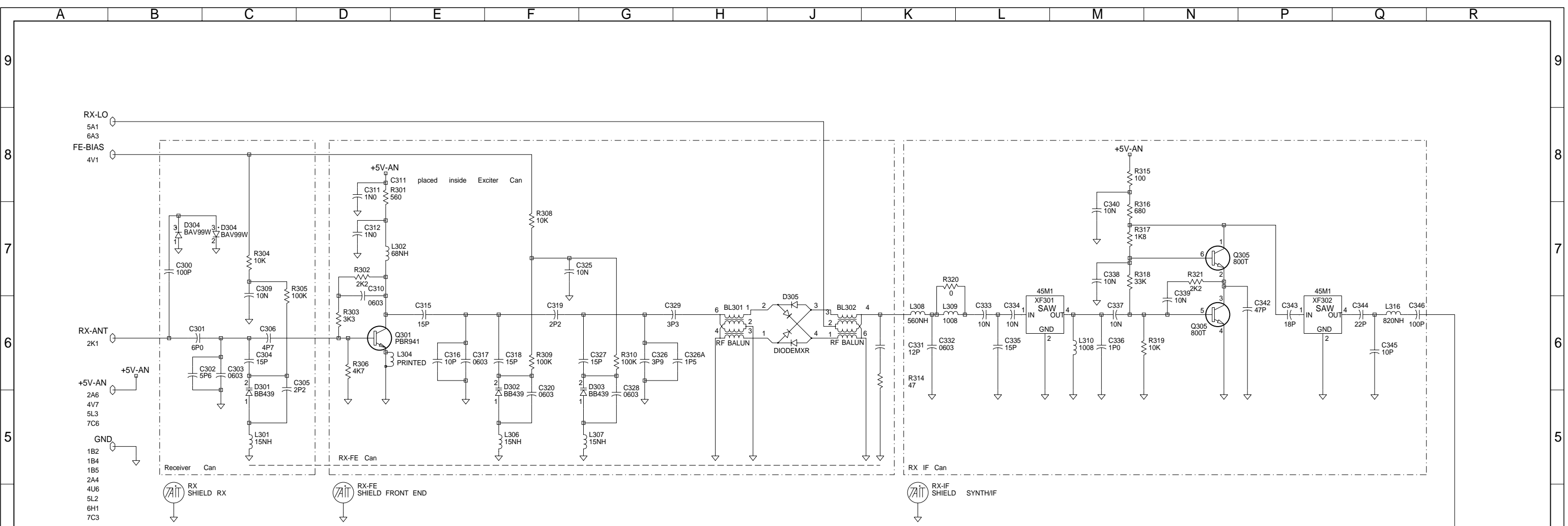
© TAIT ELECTRONICS			
TAIT ORCA : 450-530 MHZ SYSTEM DIAGRAM			
IPN: 220-01624-04	ISSUE: A	ID: 2.S.C. 1	
PROJECT: ORCA	DESIGNER: BRD	FILE NAME: 162404a	FILE DATE: 22-Mar-01
			NO.SHEETS: 7



02A	CCO NO.1624-004	AMP CHANGES	TS		16-12-99
REV/ISS	AMENDMENTS		DRAWN	CHKD	D.O.
A	B	C	D	E	F

© TAIT ELECTRONICS
 TAIT ORCA : 450-530 MHZ POWER AMPLIFIER

IPN: 220-01624-04	ISSUE: A	ID: 2.S.C. 2
PROJECT: ORCA	DESIGNER: BRD	FILE NAME: 162404a
FILE DATE: 22-Mar-01	NO.SHEETS: 7	



Variant Table

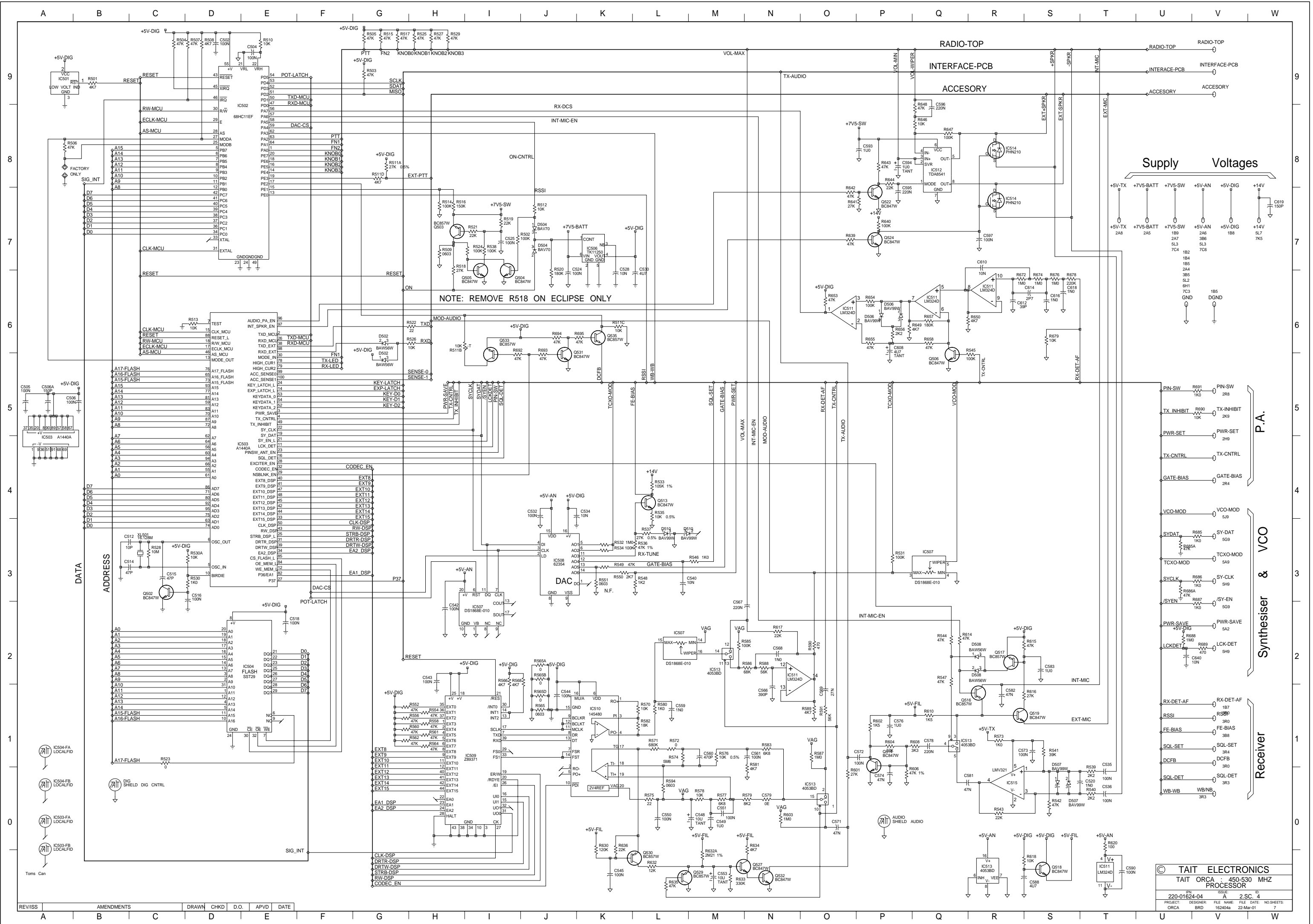
Part	NB	MB	WB
XF303	G		D
XF304	G		D
R355	47k		22k
C369	470P		330P
R390	330k		68k

© TAIT ELECTRONICS
 TAIT ORCA : 450-530 MHz RECEIVER

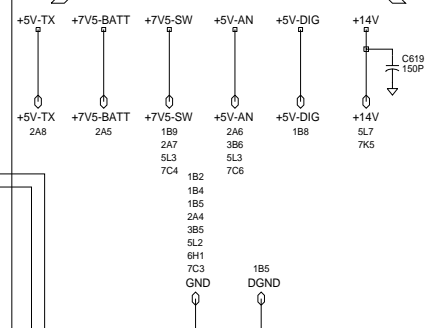
IPN: 220-01624-04 ISSUE: A ID: 2.S.C. 3

PROJECT: ORCA DESIGNER: BRD FILE NAME: 162404a DATE: 22-Mar-01 NO.SHEETS: 7

REV/ISS	AMENDMENTS	DRAWN	CHKD	D.O.	APVD	DATE



Supply Voltages



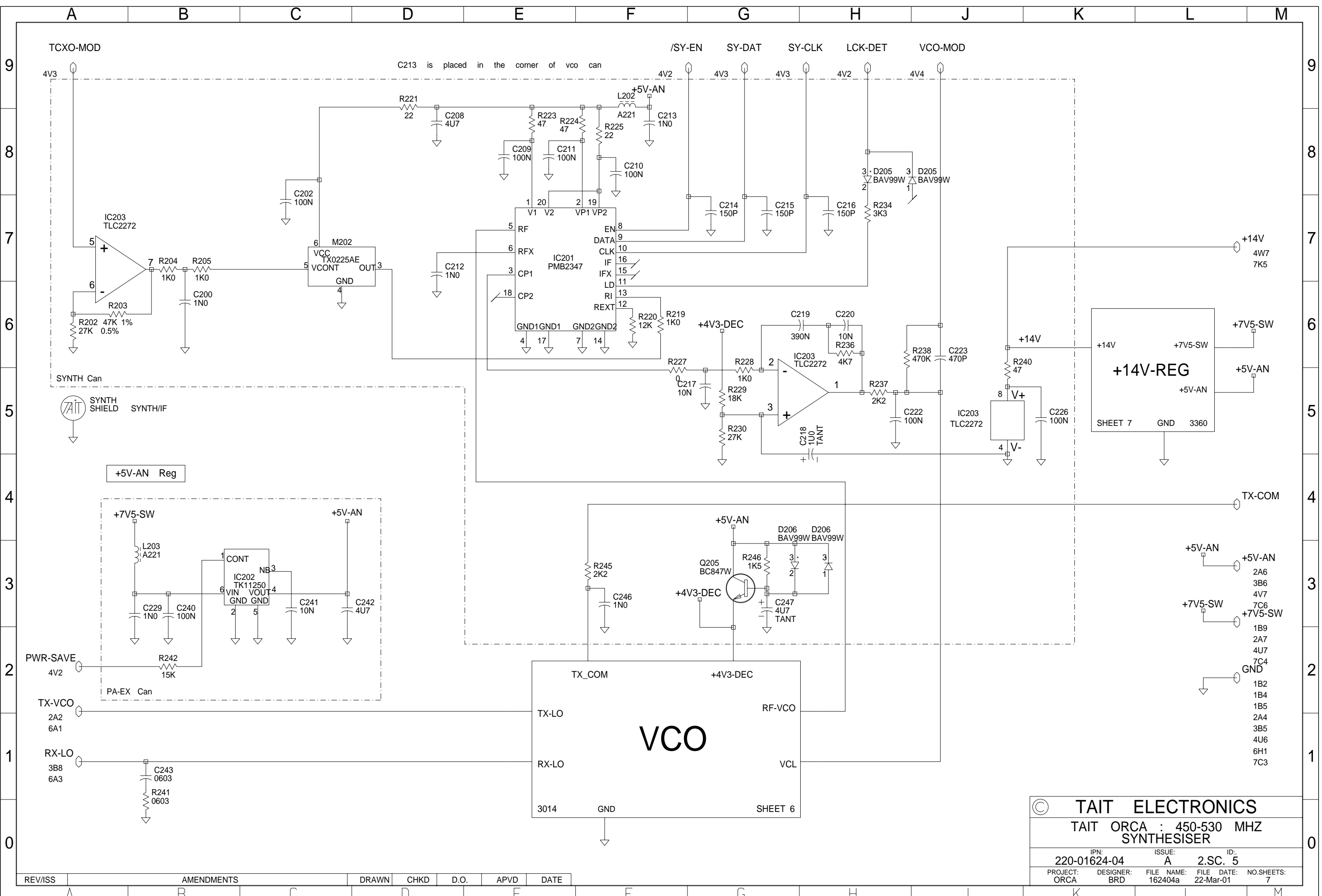
- PIN-SW 288
- TX-INHIBIT 289
- PWR-SET 289
- TX-CNTRL 289
- GATE-BIAS 284
- VCO-MOD 510
- SY-DAT 509
- TCXO-MOD 549
- SY-CLK 549
- SY-EN 509
- PWR-SAVE 542
- LCK-DET 549
- RX-DET-AF 187
- RSSI 380
- FE-BIAS 388
- SOL-SET 384
- SOL-DET 380
- WB-WB 383

P.A.

Synthesiser & VCO

Receiver

NOTE: REMOVE R518 ON ECLIPSE ONLY



© TAIT ELECTRONICS
 TAIT ORCA : 450-530 MHZ SYNTHESISER
 IPN: 220-01624-04 ISSUE: A ID: 2.SC. 5
 PROJECT: ORCA DESIGNER: BRD FILE NAME: 162404a FILE DATE: 22-Mar-01 NO.SHEETS: 7

REV/ISS	AMENDMENTS	DRAWN	CHKD	D.O.	APVD	DATE

VCO
 3014 GND SHEET 6

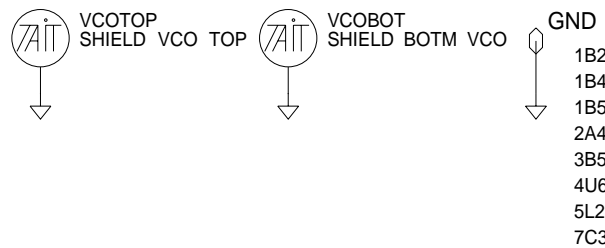
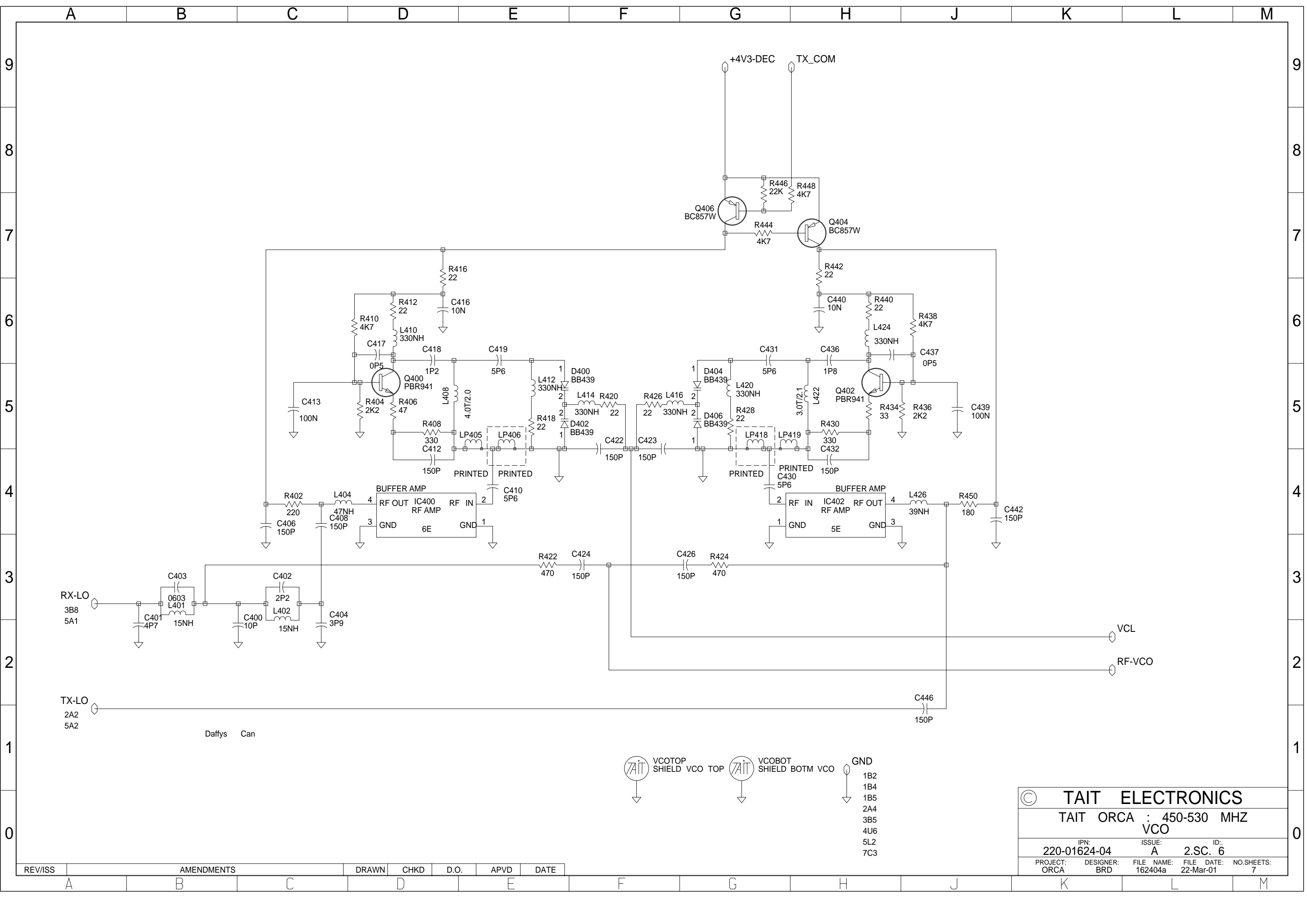
+14V-REG
 SHEET 7 GND 3360

+5V-AN Reg

PA-EX Can

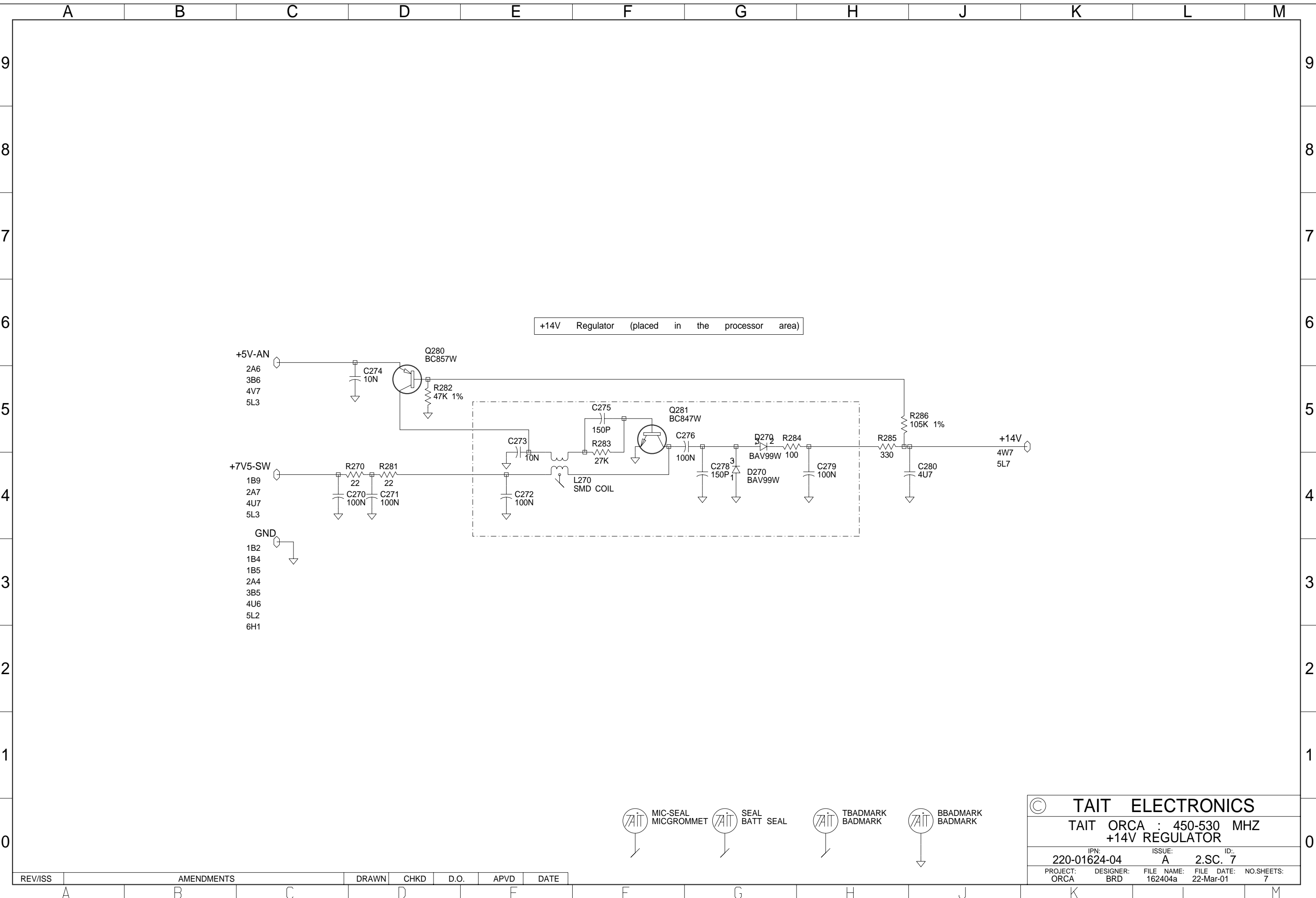
SYNTH Can





- +5V-AN 2A6
- +5V-AN 3B6
- +5V-AN 4V7
- +7V5-SW 7C6
- +7V5-SW 1B9
- +7V5-SW 2A7
- +7V5-SW 4U7
- +7V5-SW 7C4
- GND 1B2
- GND 1B4
- GND 1B5
- GND 2A4
- GND 3B5
- GND 4U6
- GND 6H1
- GND 7C3



© TAIT ELECTRONICS				
TAIT ORCA : 450-530 MHZ VCO				
IPN:	ISSUE:	ID:		
220-01624-04	A	2.SC. 6		
PROJECT:	DESIGNER:	FILE NAME:	FILE DATE:	NO.SHEETS:
ORCA	BRD	162404a	22-Mar-01	7

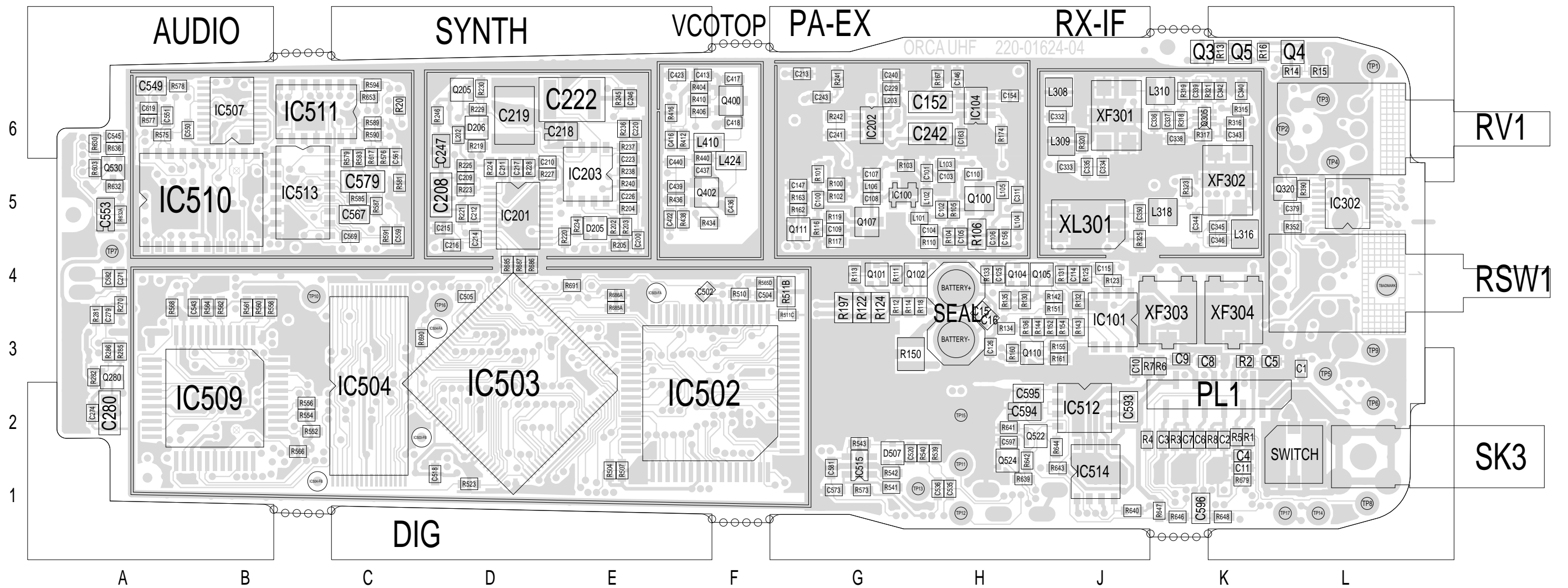
REV/ISS	AMENDMENTS	DRAWN	CHKD	D.O.	APVD	DATE



- 
 MIC-SEAL
 MICGROMMET
- 
 SEAL
 BATT SEAL
- 
 TBADMARK
 BADMARK
- 
 BBADMARK
 BADMARK

© TAIT ELECTRONICS				
TAIT ORCA : 450-530 MHZ +14V REGULATOR				
IPN: 220-01624-04	ISSUE: A	ID: 2.SC. 7		
PROJECT: ORCA	DESIGNER: BRD	FILE NAME: 162404a	FILE DATE: 22-Mar-01	NO.SHEETS: 7

REV/ISS	AMENDMENTS	DRAWN	CHKD	D.O.	APVD	DATE



TAIT ELECTRONICS IPN: 220-01624-04 ISS: A ID: 1.TA DATE: 9 Apr 2001
 ORCA UHF PCB LAYOUT - TOP SIDE

Scale: 2.3:1 ; Rotation: 0 degrees

